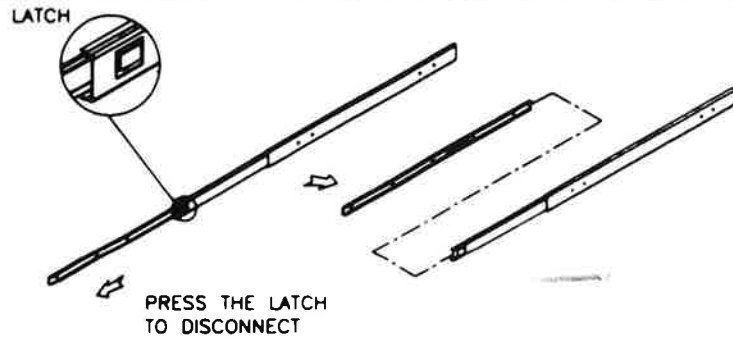


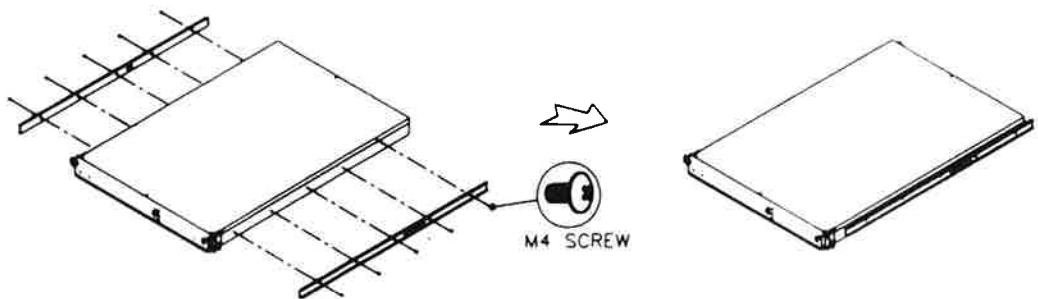
Columbus 1U rack mount slide installation instruction

1. PULL INNER CHANNEL OUT

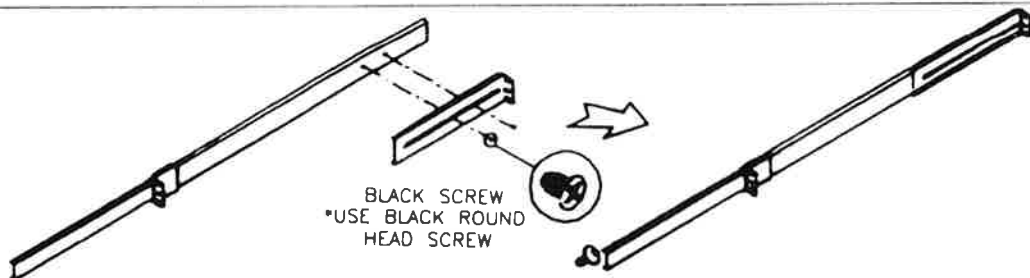


2. ASSEMBLE INNER RAIL TO CHASSIS

FASTEN 6 SCREWS AT LEAST TO ATTACH INNER CHANNEL ONTO THE CHASSIS

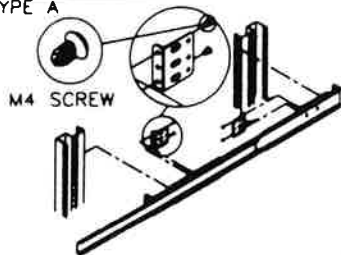


3. MOUNT THE L SHAPED BRACKET ONTO THE OUTER CHANNEL

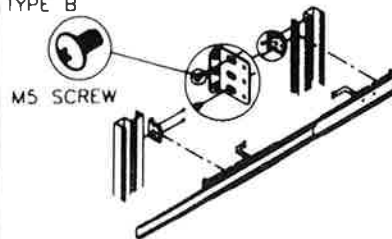


4. MOUNT SLIDES TO VERTICAL RACKS

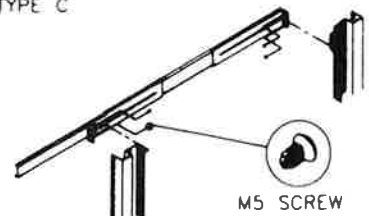
TYPE A



TYPE B



TYPE C



5. INSERT CHASSIS TO FRAME

