

NETGEAR®

Installation Guide

ProSafe 5-Port Gigabit Ethernet Switch GS105v3

Estimated installation time: 5-10 minutes



Package Contents

The package includes:

- ProSafe 5-Port Gigabit Ethernet Switch GS105v3
- AC power adapter
- *GS105v3 Installation Guide* (this document)
- Warranty/Support information card

Prepare to Install the Switch

Decide where you want to place the switch. Find a flat horizontal surface such as a table, desk or shelf. You can use wall-mounting screws (not provided) to hang the switch in an open space on a wall.

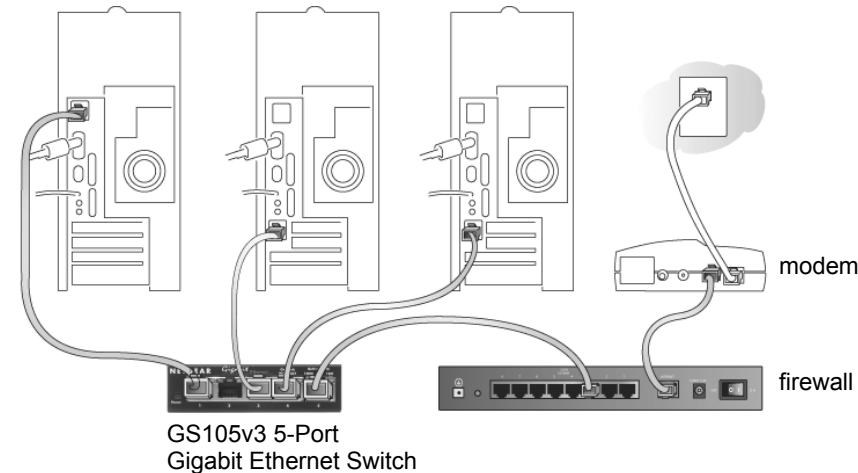
Make sure the selected location is:

- Not in direct sunlight or near a heater or heating vent.
- Not cluttered or crowded. There should be at least 2 inches (5 cm) of clear space on all sides of the switch.
- Well ventilated (especially if it is in a closet).

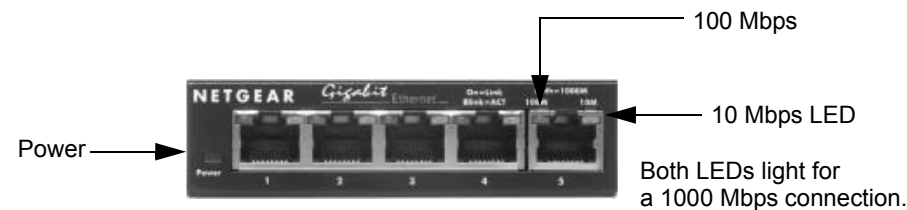
Depending on the speed of your network devices, you need a Category 3 (10 Mbps), Category 5 (100 Mbps) or Category 5e (1000 Mbps) Ethernet cable with RJ-45 connectors for each device you want to connect to the switch. Each Ethernet cable must be less than 328 feet (100 meters).

Install the Switch and Connect the Other Devices

1. Place the switch on a flat surface or hook onto the screws.
2. For each device, insert one end of an Ethernet cable into the port in the device and insert the other end into one of the Ethernet ports on the switch.



3. Connect the power adapter cord into the back of the switch and then plug the adapter into a power source (such as a wall socket or power strip).
4. Check the LEDs to verify that the equipment is connected correctly.



- The Power LED is lit.
- Each RJ-45 jack has 2 LEDs. For each jack that is connected to a powered device, the Link LED is lit, and it flashes when activity occurs. If the connection is 10 Mbps or 100 Mbps, one LED lights up. If the connection is 1000 Mbps, both LEDs light up.

Note: If any light does not operate as indicated, go to the Troubleshooting section.

Troubleshooting

The Power light is not lit.

The switch has no power.

- Make sure that the power cord is correctly connected to the switch.
- Make sure that the power adapter is connected to a functioning power outlet. If it is in a power strip, make sure that the power strip is turned on. If the socket is controlled by a light switch, make sure that the switch is in the on position.
- Make sure you that are using the NETGEAR power adapter supplied with your switch.

The Port number light is not lit for a connected device or stays on continuously.

There is a hardware connection problem.

- Make sure that the cable connectors are securely plugged in at the switch and the device.
- Make sure that the connected device is turned on.
- If the Ethernet cable is connected to a NIC or other Ethernet adapter, make sure that the card or adapter is installed correctly and is working.
- Make sure that the cable is less than 328 feet (100 meters).

Technical Specifications	
Standards compatibility	ISO/IEG 802.3i (ANSI/IEEE 802.3i) 10BASE-T, IEEE 802.3i 10BASE-T, IEEE 802.3u 100BASE-TX, IEEE 802.3ab 1000BASE-T, IEEE 802.3x Flow Control; Jumbo frame 9720, IEEE 802.1p priority; DSCP priority. Compatible with Windows, Mac OS, NetWare, Linux.
Network interface	RJ-45 connector for 10BASE-T, 100BASE-TX, or 1000BASE-T Ethernet interface
Power	12W max and 12V@1A DC input
Power consumption	3W max
Physical dimensions	W: 94 mm (3.7") D: 104 mm (4.1") H: 28 mm (1.1")
Weight	300 g (0.66 lbs)
Operating temperature	0 to 50° C (32 to 122° F)
Operating humidity	10% to 90% relative humidity, noncondensing
Electromagnetic compliance	FCC Part 15, Class B; EN 55 022 (CISPR 22), VCCI Class B
Safety agency approvals for the power adapter	CE mark, C-Tick
Performance Specifications	
Frame filter rate	14,880 frames/sec max for 10M port / 148,800 frames/sec max for 100M port/1,488,000 frames/sec for 1000M port
Frame forward rate	14,880 frames/sec max for 10M port / 148,800 frames/sec max for 100M port / 1,488,000 frames/sec max for 1000M port
Network latency (using 1500-byte packets)	10Mbs: 30us max 100Mbs: 6us max 1000Mbs: 4us max
Address database size	4K MAC addresses
Queue buffer	128 KB Embedded

Statement of Conditions

In the interest of improving internal design, operational function, and operability, NETGEAR reserves the right to make changes to the product described in this document without notice. NETGEAR does not assume any liability that may occur due to the use or application of the product(s) or circuit layout(s) described herein.

Technical Support

Thank you for selecting NETGEAR products.

After completing the Smart Wizard configuration assistant, locate the serial number on the bottom label of your product, and use it to register your product at <http://www.NETGEAR.com/register>.

Registration on the website or over the phone is required before you can use our telephone support service. The phone numbers for worldwide regional customer support centers are on the Warranty and Support Information card that came with your product.

Go to <http://kbserver.netgear.com> for product updates and Web support.



This symbol was placed in accordance with the European Union Directive 2002/96 on the Waste Electrical and Electronic Equipment (the WEEE Directive). If disposed of within the European Union, this product should be treated and recycled in accordance with the laws of your jurisdiction implementing the WEEE Directive.

© 2009 by NETGEAR, Inc. All rights reserved. NETGEAR and the NETGEAR logo are registered trademarks of NETGEAR, Inc. in the United States and/or other countries. Other brand and product names are trademarks or registered trademarks of their respective holders. Information is subject to change without notice.



201-12076-01



August, 2009