



arlo™

Arlo Baby Table/Wall Stand
Quick Start Guide

Welcome

Thank you for choosing the Arlo Baby Table/Wall Stand.

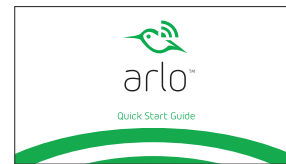
Getting started is easy.



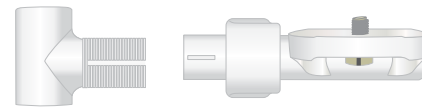
Long pole



Short pole



Quick Start Guide



Camera base and bracket
(hand screw attached)



Base (hand screw attached)



Wall plate
screws (2)



Wall-mount plate

Select a Location for the Stand

Select a location where the camera is out of the reach of children and where an electrical outlet is close enough to plug in the power adapter when Arlo Baby is on the stand. You can either place the stand on a horizontal surface or mount it on a wall. See [Place the Stand on a Horizontal Surface](#) on page 6 or [Mount the Stand on a Wall](#) on page 10.



⚠ STRANGULATION HAZARD – Children can be STRANGLED in cords. Keep the cord out of the reach of children (more than 3 feet (.9 meters) away).

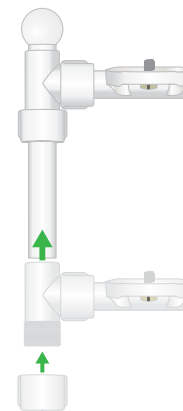
Assemble the Stand and Camera Base

You can use either the long pole or the short pole.

1. Slide the camera base bracket onto either the long pole or the short pole.



2. Tighten the knob to secure the camera base bracket to your desired location on the pole.

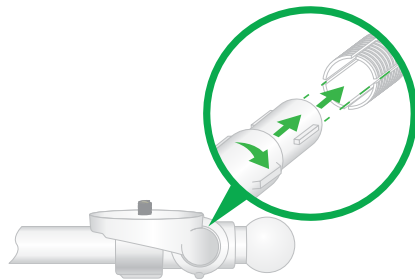


Place the Stand on a Horizontal Surface

If you are placing the stand on a horizontal surface such as a shelf, you must orient the camera base.

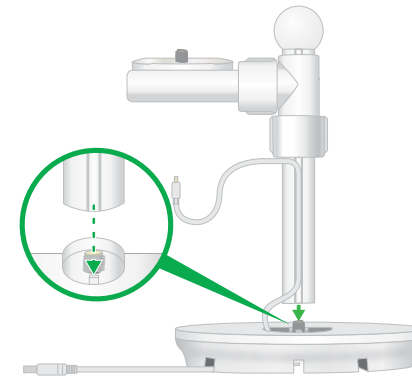
➤ To orient the camera base:

1. Loosen the camera base bracket.
2. Pull the camera base out from the camera base bracket.
3. Rotate the camera base so that it is parallel to the floor.
4. Align the notches on the camera base with the bracket and slide the camera base back into the camera base bracket.
5. Tighten the camera base bracket.



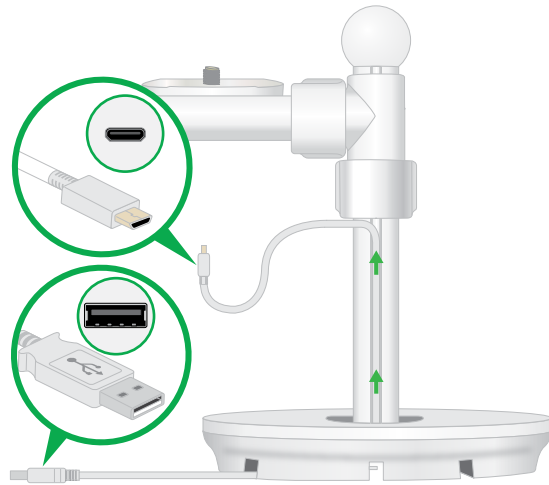
➤ To connect the pole to the base:

1. Feed the end of the USB cable with the larger connector through the hole in the base.
2. Align the cable track on the pole with the notch on the base.
3. Use the hand screw underneath the base to secure the pole to the base.



➤ **To secure the cable:**

Tuck the USB cable into the cable track on the pole.



➤ **To secure Arlo Baby on the camera base.**

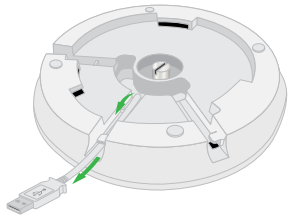
1. Place Arlo Baby on the camera base and rotate the camera to the desired location.
2. Tighten the screw underneath the camera base to secure Arlo Baby onto the camera base.
3. Connect the USB cable end with the small connector to the USB port on the rear of the camera.
4. Connect the other end of the USB cable to the power adapter.
5. Plug the power adapter into an electrical outlet.



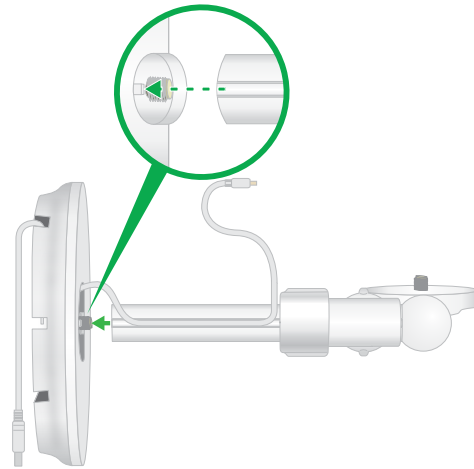
Mount the Stand on a Wall

➤ To connect the pole to the base:

1. Feed the end of the USB cable with the larger connector through the hole in the base.

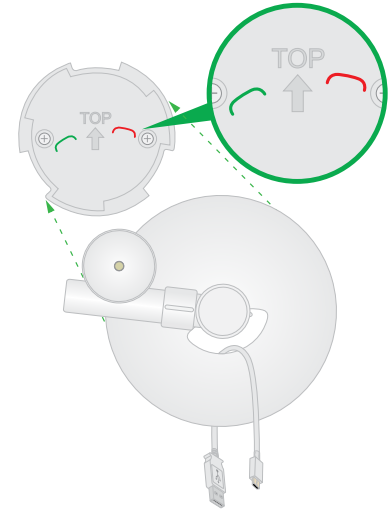


2. Align the cable track on the pole with the notch on the base.
3. Use the hand screw underneath the base to secure the pole to the base.

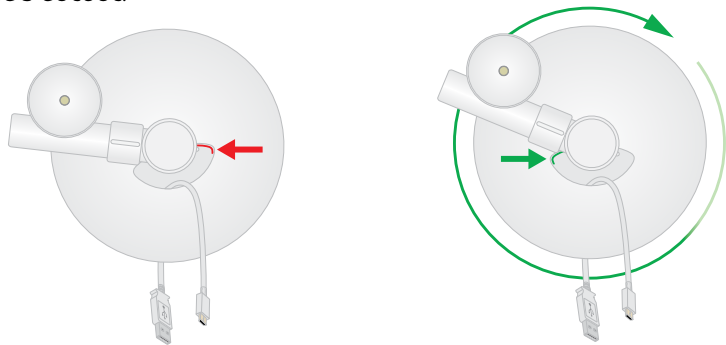


➤ To mount the wall plate and base:

1. Align the wall-mount plate so that the arrow points upward.
2. Use the screws provided to attach the wall-mount plate to the wall.



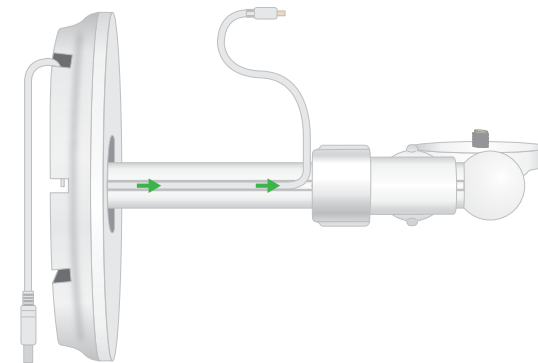
3. Align the base against the wall-plate so that you can see the red mark showing on the right side of the base's cutout.



4. Firmly twist the base clockwise until it clicks onto the wall plate.
5. Make sure that the green mark shows on the left side of the base's cutout..

➤ **To secure the cable:**

Tuck the USB cable into the cable track on the pole.



➤ **To secure Arlo Baby on the camera base:**

1. Place Arlo Baby on the camera base.
2. Tighten the screw underneath the camera base to secure Arlo Baby onto the camera base.
3. Connect the USB cable end with the small connector to the USB port on the rear of the camera.
4. Connect the other end of the USB cable to the power adapter.
5. Plug the power adapter into an electrical outlet.



You're Done!

Congratulations! Your Arlo Table/Wall stand is set up and ready to go.

To view useful tutorial videos, find troubleshooting tips, or get support, visit <https://www.arlo.com/support/>.

©NETGEAR, Inc., NETGEAR, the NETGEAR Logo, and Arlo are trademarks of NETGEAR, Inc.

Compliance

For the current EU Declaration of Conformity, visit kb.netgear.com/app/answers/detail/a_id/11621/.

For regulatory compliance information, visit netgear.com/about/regulatory/.

NETGEAR®

350 East Plumeria Drive
San Jose, CA 95134, USA

 **NETGEAR INTL LTD**
Building 3, University Technology Center
Curraheen Road, Cork, Ireland



201-21968-02

July 2017

