



arlo™

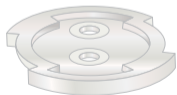
Camera Mount
Quick Start Guide



Mount



Window decal

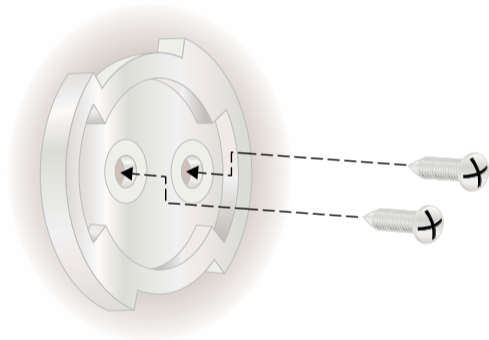


Mount plate

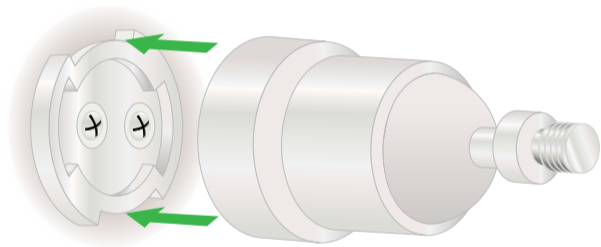


Screws

1.

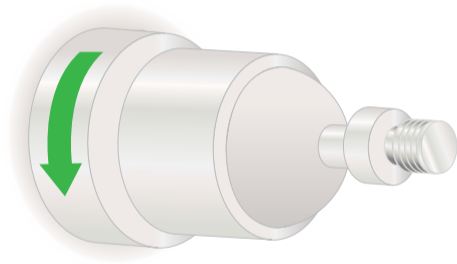


2.



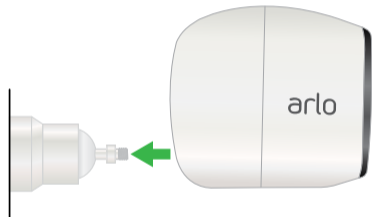
4

3.



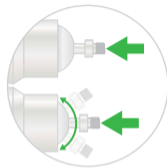
5

4.



6

5.



7

©NETGEAR, Inc., NETGEAR, the NETGEAR Logo, and Arlo are trademarks of NETGEAR, Inc. Any non-NETGEAR trademarks are used for reference purposes only.

Compliance

For the current EU Declaration of Conformity, visit
http://kb.netgear.com/app/answers/detail/a_id/11621/.

For regulatory compliance information, visit
<http://www.netgear.com/about/regulatory/>.

NETGEAR®

350 East Plumeria Drive
San Jose, CA 95134, USA

February 2017



NETGEAR INTL LTD

Building 3, University Technology Centre
Curraheen Road, Cork, Ireland



201-21673-01