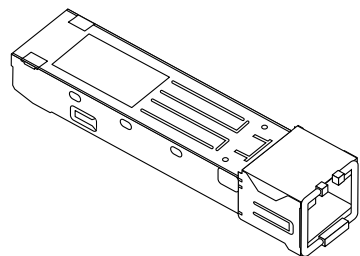


Installation

ProSAFE® 10GBASE-T/1000BASE-T/ 100BASE-TX SFP+ Module

Model AXM765



The AXM765 SFP+ module is a low-power, high-performance, multigigabit 10G/1000BASE-T/100BASE-TX transceiver. The AXM765 delivers 10 GbE network connectivity with cabling up to 98.5 feet (30 meters) and delivers 1G/100M network connectivity speed through 92.8 feet (100 meters) of Category 5e (Cat 5e) or Cat 6 Ethernet cable.

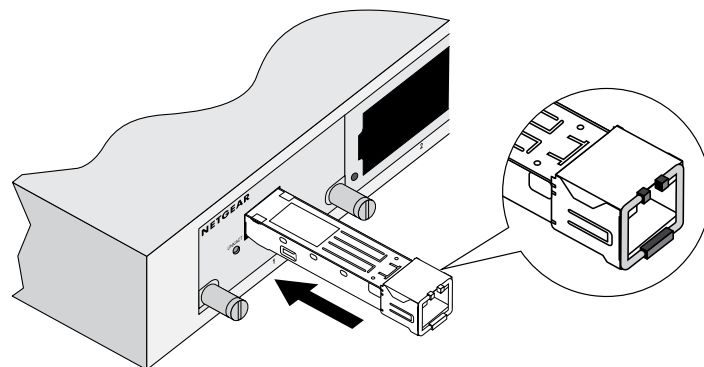
The module is compatible with the IEEE 802.3an/bz standard.

The switch will automatically detect the module, so you can simply plug it into an available module slot. The module can be inserted or removed while the switch is operational.

NETGEAR®

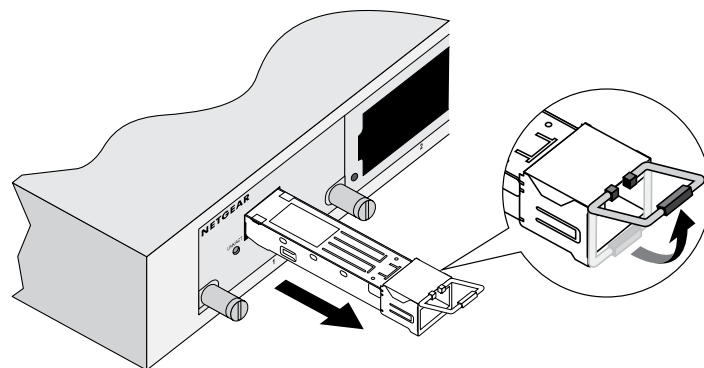
Install the Module

Insert the module firmly into a slot that supports the SFP+ interface. Make sure that the cable you use is Category 5e (Cat 5e) or higher rated Ethernet cable (Cat 6, Cat 6a, or Cat 7).



Remove the Module

1. To release the module latch, pull up the handle bar across the module.
2. Pull the module out of the module slot.



Technical Specifications	
Standards	IEEE 802.3an, IEEE 802.3bz, SFF-8431 and SFF-8432 MSA-compliant
Dimensions (H x W x D)	0.53 in. x 0.53 in. x 2.57 in. (13.7 mm x 13.4 mm x 65.4 mm)
Weight	0.5 oz (14.17 g)
Operating temperature	32–158°F (0–70°C)
Operative relative humidity	85% at 77°F (25°C)
Operating distance	10GBASE-T up to 28.5 ft (30 m) with Cat 6a (or higher rated) Ethernet cable Up to 328 ft (100 m) of Cat 5e (or higher rated) Ethernet cable
Connectors	RJ45
Power consumption	2.5W
Safety certification	IEC/EN 60950-1, UL60950
Environmental compliance	RoHS

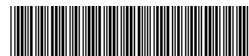
Support

Thank you for purchasing this NETGEAR product. You can visit www.netgear.com/support to register your product, get help, access the latest downloads and user manuals, and join our community. We recommend that you use only official NETGEAR support resources.

For the current EU Declaration of Conformity, visit http://kb.netgear.com/app/answers/detail/a_id/11621.

For regulatory compliance information, visit <http://www.netgear.com/about/regulatory/>.

See the regulatory compliance document before connecting the power supply.



201-21572-01



NETGEAR INTL LTD
Building 3, University Technology Centre
Curraheen Road, Cork, Ireland

NETGEAR, Inc.
350 East Plumeria Drive
San Jose, CA 95134, USA

© NETGEAR, Inc., NETGEAR and the NETGEAR Logo
are trademarks of NETGEAR, Inc. Any non-NETGEAR
trademarks are used for reference purposes only.

March 2017