

# NETGEAR®

## Installation Guide

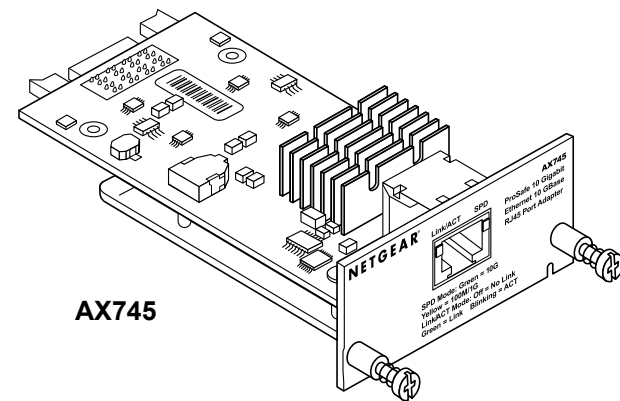
Connect with Innovation™

### ProSafe 10GBASE-T RJ-45 Port Adapter AX745

The ProSafe® 10GBASE-T RJ-45 Port Adapter AX745 enables 10 Gigabit Ethernet RJ-45 connections to be used with NETGEAR GSM73xxS/GSM73xxSv2 series managed switches. The switches include GSM7328S, GSM7352S, GSM7328FS, and the M5300 series.

### Package Contents

- ProSafe 10GBASE-T RJ-45 Port Adapter AX745
- Installation guide

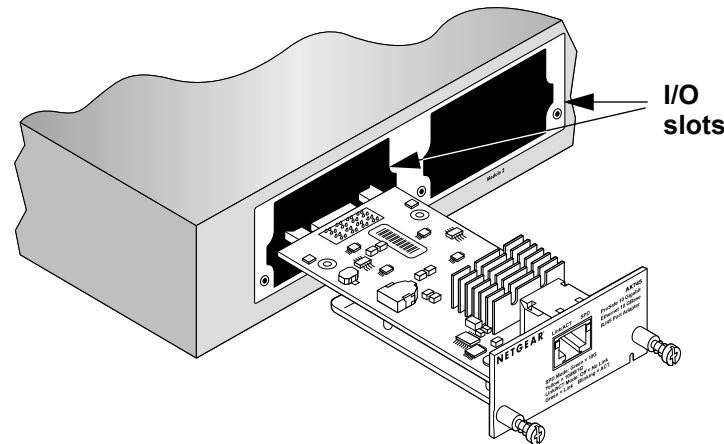


### Install an Adapter

The adapter fits into the I/O slot in NETGEAR managed switches.

The I/O slots are on the front or the rear panel of a switch depending on the switch model.

**Note:** The adapter is not hot swappable. You must reboot the switch after installing or removing an adapter.



#### To install an adapter:

1. Insert the adapter into one of the available I/O slots, pressing firmly to seat the adapter.
2. Once the adapter is seated, tighten the two set screws to hold the adapter in place.
3. Reboot the switch.

#### To remove an adapter:

1. Loosen the two set screws on either side of the adapter front panel.
2. Remove the adapter by holding the screw posts and pulling evenly on the adapter.
3. Reboot the switch.

### LED Indicator

The LED on the adapter front panel indicates data speed or link status depending on the operating mode. See the switch CLI manual or software administration manual for instructions for setting the LED operating modes.

Operating Mode	LED Description
SPD mode	Green = 10 Gbps Yellow = 100 M/1 Gbps
Link/ACT mode	Off = no link Green = link Blinking = active link

## Specifications

Specifications	
Standard	IEEE 802.3an, 10GBASE-T
Dimensions (H x W x D)	1.20 in. x 2.92 in. x 6.13 in. (30.5 mm x 74.1 mm x 155.7 mm)
Weight	0.317 lb (0.144 kg)
Operating temperature	32–122°F (0–50°C)
Storage temperature	32–158°F (0–70°C)
Operative relative humidity	10–90% noncondensing
Max. power consumption	6.1W
MTBF	3,402,223 hours (~388 years) at 25°C; 913,546 hours (~104 years) at 55°C

## Regulatory Compliance

### Certificate of Manufacture/Importer

It is hereby certified the NETGEAR model AX745 has been suppressed in accordance with the condition set out in MBPT-AmtsblVfg 243/1991 and vfg 46/1992. The operation of some equipment (for example, test transmitters) in accordance with regulation may, however, be subject to certain restrictions. Please refer to the note in the operating instructions. Federal Office for Telecommunications Approvals has been notified of the placing of this equipment on the market and has been granted the right to test the series for compliance with regulation.

**Note:** This device has been tested and found to comply with limits for a Class A digital device, pursuant to part 15 of FCC rules. These limits are designed to provide reasonable protection against harmful interference in a commercial installation.

## Technical Support

After installing your device, locate the serial number on the label of your product and use it to register your product at <https://my.netgear.com>.

You must register your product before you can use NETGEAR telephone support. NETGEAR recommends registering your product through the NETGEAR website. For product updates and web support, visit <http://support.netgear.com>.

You can get the hardware installation manual and software administration guides for managed switches online at <http://downloadcenter.netgear.com> or through a link in the switch user interface or on the resource CD.



November 2012

For the complete EU Declaration of Conformity, visit [http://support.netgear.com/app/answers/detail/a\\_id/11621/](http://support.netgear.com/app/answers/detail/a_id/11621/).

**Statement of Conditions:** In the interest of improving internal design, operational function, and/or reliability, NETGEAR reserves the right to make changes to the products described in this document without notice. NETGEAR does not assume any liability that may occur due to the use or application of the product(s) or circuit layout(s) described herein.



This symbol appears in accordance with the European Union Directive 2002/96 on the Waste Electrical and Electronic Equipment (the WEEE directive). If you dispose of this product in the European Union, treat and recycle it in accordance with your jurisdiction's laws that implement the WEEE directive.

NETGEAR, the NETGEAR logo, and Connect with Innovation are trademarks and/or registered trademarks of NETGEAR, Inc. and/or its subsidiaries in the United States and/or other countries. Information is subject to change without notice. Other brand and product names are registered trademarks or trademarks of their respective holders. © NETGEAR, Inc. All rights reserved.

For indoor use only in all EU countries and Switzerland.